



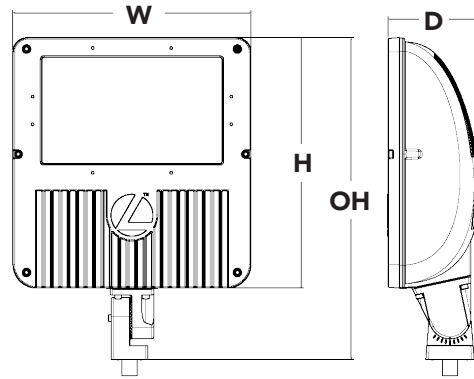
D-Series Size 3 LED Flood Luminaire



d#series

Specifications

EPA:	1.4 ft ² (0.13 m ²)
Depth:	5" (12.7 cm)
Width:	13" (33.0 cm)
Height:	13-5/8" (34.6 cm)
Overall Height:	17-1/2" (44.5 cm)
Weight:	21 lbs (9.5 kg)



Catalog
Number

Notes

Type

Hit the Tab key or mouse over the page to see all interactive elements.

Introduction

The D-Series Size 3 Flood features precision optics to beautifully illuminate a variety of applications as its sleek, compact styling blends seamlessly with its environment.

The D-Series Flood reflector systems and cutting-edge chip-on-board LED technology produce low field-to-beam ratios for minimal spill light and incredible photometric performance. It's the ideal long-life replacement for 250 - 400W metal halide floods, with typical energy savings of 67% and expected service life of over 100,000 hours.

Ordering Information

EXAMPLE: DSXF3 LED 8 A530/40K FL MVOLT THK DDBXD

DSXF3 LED	Series	Light Engines	Performance Package	Distribution	Voltage	Mounting	Options	Finish (required)	
DSXF3 LED	6	Six COB engines	530 mA options: A530/30K 3000 K A530/40K 4000 K A530/50K 5000 K	NSP	Narrow spot	MVOLT ¹	Shipped included THK Knuckle with 3/4" NPT threaded pipe YKC62 Yoke with 16-3 SO cord IS Integral slipfitter (fits 2-3/8" O.D. tenon) Shipped separately ² FTS CG6 Tenon slipfitter (fits 2-3/8" to 2-7/8" O.D. tenon. YKC62 required)	Shipped installed PER NEMA twist-lock receptacle only (no controls) DMG 0-10V dimming driver (no controls) DCR Dimmable and controllable via ROAM [®] (no controls) ³ SF Single fuse (120, 277, 347V) ⁴ DF Double fuse (208, 240, 480V) ⁴ WTB Utility terminal block Shipped separately ² UBV Upper/bottom visor (universal) FV Full visor VG Vandal guard WG Wire guard SC Shorting cap ⁵ DLL127F 1.5 JU Photocell - SSL twist-lock (120-277V) ⁵ DLL347F 1.5 CUL JU Photocell - SSL twist-lock (347V) ⁵ DLL480F 1.5 CUL JU Photocell - SSL twist-lock (480V) ⁵	DDBXD Dark bronze
				MSP	Medium spot	120 ¹			THK
	8	Eight COB engines		MFL	Medium flood	208 ¹		DNAXD Natural aluminum	
				FL	Flood	240 ¹		DWHXD White	
				WFL	Wide flood	277 ¹			
				WFR	Wide flood, rectangular	347			
				HMF	Horizontal medium flood	480			

Accessories

Ordered and shipped separately.

FTS CG6 DDBXD U	Slipfitter for 2-3/8" to 2-7/8" OD tenons; mates with yoke mount (specify finish)
FRWB DDBXD U	Radius wall bracket, 2-3/8" OD tenon (specify finish)
FSPB DDBXD U	Steel square pole bracket, 2-3/8" OD tenon (specify finish)
DSXF3UBV DDBXD U	Upper/bottom visor accessory (specify finish)
DSXF3FV DDBXD U	Full visor accessory (specify finish)
DSXF3VG U	Vandal guard accessory
DSXF3WG U	Wire guard accessory

For more mounting options, visit our [Floodlighting Accessories](#) pages.
For more control options, visit [DTL](#) and [ROAM](#) online.

NOTES

- MVOLT driver operates on any line voltage from 120-277V. Specify 120, 208, 240 or 277 options only when ordering with fusing (SF, DF options).
- Also available as separate accessories; see Accessories information at left.
- Specifies a ROAM[®] enabled luminaire with 0-10V dimming capability; PER option required. Not available with 347 or 480V. Additional hardware and services required for ROAM[®] deployment; must be purchased separately. Call 1-800-442-6745 or email: sales@roamservices.net.
- Single fuse (SF) requires 120, 277 or 347 voltage option. Double fuse (DF) requires 208, 240 or 480 voltage option.
- Requires luminaire to be specified with PER option. Ordered and shipped as a separate line item.

Performance Data

Lumen Output

Lumen values are from photometric tests performed in accordance with IESNA LM-79-08. Data is considered to be representative of the configurations shown, within the tolerances allowed by Lighting Facts. Contact factory for performance data on any configurations not shown here.

Light Engines	Drive Current (mA)	Performance Package	System Watts	Dist. Type	Field Angle		Beam Angle		30K (3000 K, 70 CRI)			40K (4000 K, 70 CRI)			50K (5000 K, 70 CRI)			
					°H	°V	°H	°V	Max Cd	Lumens	LPW	Max Cd	Lumens	LPW	Max Cd	Lumens	LPW	
6	530	A530/-K	112W	NSP	48	49	19	19	37,879	7554	67	39,299	9076	81	39,177	9119	81	
					MSP	50	48	24	23	32,755	7443	66	36,284	8943	80	36,171	8986	80
					MFL	60	60	47	46	12,061	7057	63	15,104	8479	76	15,057	8519	76
					FL	85	84	63	62	9898	9399	84	9985	11292	101	9954	11346	101
					WFL	106	106	71	72	6979	9327	83	7488	11927	106	7465	11260	101
					WFR	107	88	85	64	6859	9461	84	7460	11368	101	7436	11422	102
					HMF	100	62	80	13	7751	4138	37	6779	4972	44	6758	4996	45
8	530	A530/-K	148W	NSP	48	49	19	19	52,471	10464	71	51,658	12572	85	51,496	12632	85	
					MSP	50	48	24	23	52,368	11900	80	47,694	14286	97	47,546	14354	97
					MFL	60	60	47	46	16,707	9775	66	19,854	11745	79	19,792	11801	80
					FL	85	84	63	62	13,711	13019	88	13,125	15642	106	13,084	15717	106
					WFL	106	106	71	72	9650	12897	87	9843	15482	105	9812	15556	105
					WFR	107	88	85	64	9501	13106	89	9805	15747	106	9775	15821	107
					HMF	100	62	80	13	10,736	5732	39	8911	6887	47	8883	6920	47

Lumen Ambient Temperature (LAT) Multipliers

Use these factors to determine relative lumen output for average ambient temperatures from 0-40°C (32-104°F).

Ambient		Lumen Multiplier
0°C	32°F	1.05
10°C	50°F	1.03
20°C	68°F	1.01
25°C	77°F	1.00
30°C	86°F	0.99
40°C	104°F	0.97

Projected LED Lumen Maintenance

Data references the extrapolated performance projections for the DSXF LED 8 A530 platform based on 8400 hours of LED testing (tested per IESNA LM-80-08 and projected per IESNA TM-21-11).

To calculate LLF, use the lumen maintenance factor that corresponds to the desired number of operating hours. For other lumen maintenance values, contact factory.

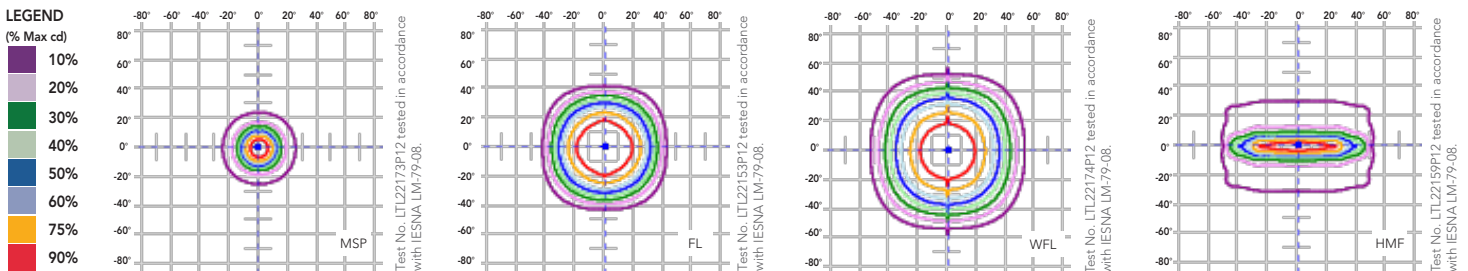
Operating Hours	0	25,000	50,000	100,000
Lumen Maintenance Factor	1.0	0.94	0.90	0.80

Electrical Load

Light Engines	Drive Current (mA)	System Watts	Current (A)					
			120	208	240	277	347	480
6	530	112W	0.92	0.53	0.47	0.47	0.32	0.23
8	530	148W	1.20	0.69	0.60	0.53	0.41	0.30

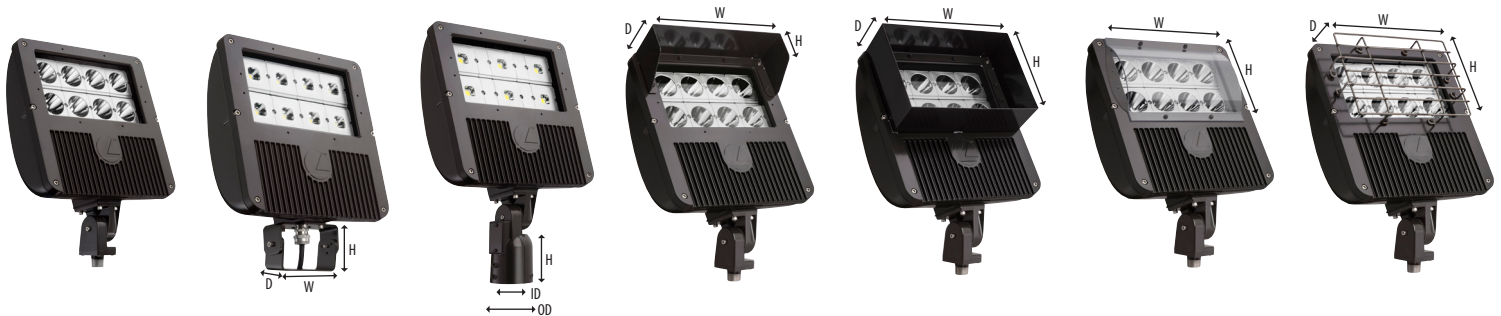
Photometric Diagrams

Isocandela plots for the DSXF3 LED 8 A530/40K.



To see complete photometric reports or download .ies files for this product, visit Lithonia Lighting's [D-Series Flood Size 3 homepage](#).

Mounting, Options and Accessories



THK - Knuckle with 3/4" NPT threaded pipe

YKC62 - Yoke with S0 cord
 W= 5" (12.7 cm)
 H= 3-1/2" (8.8 cm)
 D= 2" (5.0 cm)

IS - Integral slipfitter
 H= 4-1/2" (11.4 cm)
 ID= 2-3/8" (6.0 cm)
 OD= 3-1/2" (8.8 cm)

UBV - Upper/bottom visor
 W= 12" (30.4 cm)
 H= 7-1/5" (19.0 cm)
 D= 3" (7.6 cm)

FV - Full visor
 W= 12" (30.4 cm)
 H= 7-1/5" (19.0 cm)
 D= 3" (7.6 cm)

VG - Vandal guard
 W= 10-1/2" (26.6 cm)
 H= 7-1/2" (19.0 cm)

WG - Wire guard
 W= 10-1/2" (26.6 cm)
 H= 7-1/2" (19.0 cm)
 D= 1-1/5" (3.8 cm)

FEATURES & SPECIFICATIONS

INTENDED USE

The sleek design of the D-Series Size 3 Flood reflects the embedded high performance LED technology. It is ideal for wallwash, security and general area lighting in many commercial and institutional applications.

CONSTRUCTION

Die-cast aluminum housing has integral heat sink fins to optimize thermal management through conductive and convective cooling. The LED driver is mounted in direct contact with the casting to promote low operating temperature and long life. Housing is completely sealed against moisture and environmental contaminants (IP65). Low EPA (1.4 ft²) for optimized wind loading.

FINISH

Exterior parts are protected by a zinc-infused Super Durable TGIC thermoset powder coat finish that provides superior resistance to corrosion and weathering. A tightly controlled multi-stage process ensures a minimum 3 mils thickness for a finish that can withstand extreme climate changes without cracking or peeling.

OPTICS

A variety of precision-molded vacuum-metallized specular reflectors are engineered for superior field-to-beam ratios, uniformity and spacing. Light engines are available in 3000 K (70 CRI min.), 4000 K (70 CRI min.) or 5000 K (70 CRI min.) configurations. Optional visors offer additional versatility.

ELECTRICAL

Light engines consist of chip-on-board (COB) LEDs directly coupled to the housing to maximize heat dissipation and promote long life (100,000 hrs, L80). Class 1 electronic driver has a power

factor >90%, THD <20%, and has an expected life of 100,000 hours with <1% failure rate. (Eight-engine unit uses two drivers.) Surge protection meets a minimum Category C Low operation (per ANSI/IEEE C62.41.2).

INSTALLATION

Integral adjustable knuckle with 3/4-14 NPT threaded pipe, or yoke mounting, facilitates quick and easy installation to a variety of mounting accessories. This secure connection enables the D-Series Size 3 to withstand up to a 1.5 G vibration load rating per ANSI C136.31.

LISTINGS

CSA certified to U.S. and Canadian standards. Luminaire is IP65 rated. Rated for -40°C minimum ambient.

DesignLights Consortium® (DLC) qualified product. Not all versions of this product may be DLC qualified. Please check the DLC Qualified Products List at www.designlights.org to confirm which versions are qualified.

WARRANTY

Five year limited warranty. Full warranty terms located at www.acuitybrands.com/CustomerResources/Terms_and_conditions.aspx.

Note: Actual performance may differ as a result of end-user environment and application. All values are design or typical values, measured under laboratory conditions at 25 °C. Specifications subject to change without notice.